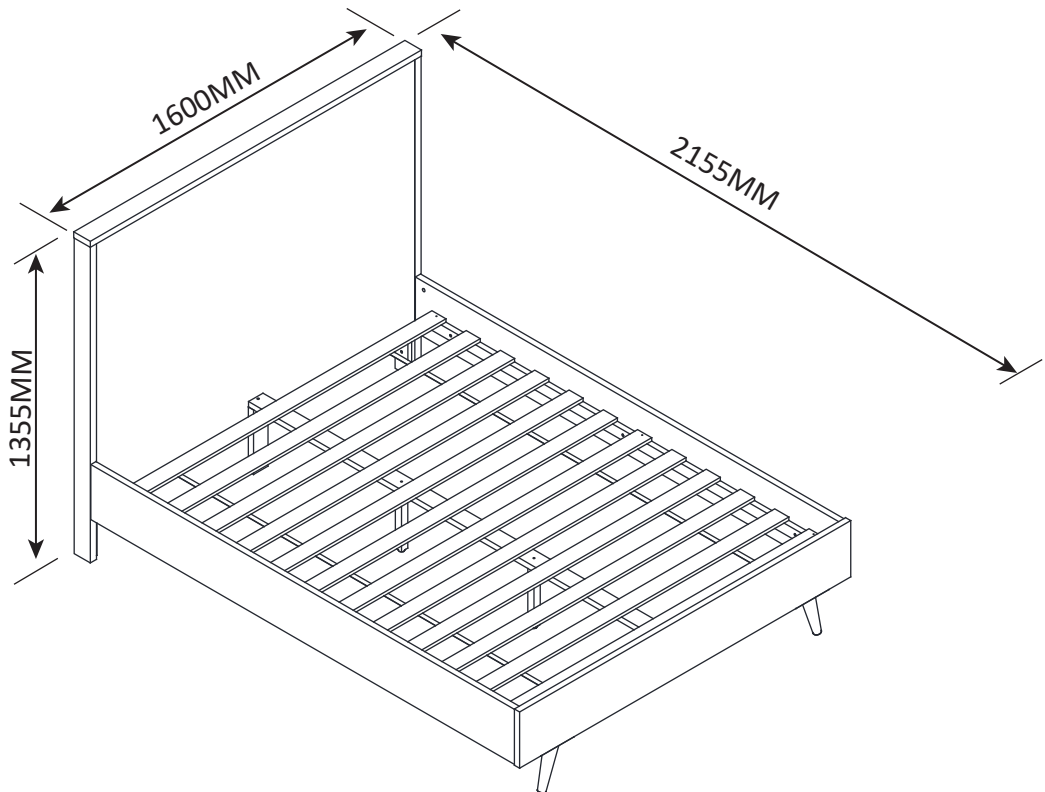


# ASSEMBLY INSTRUCTION

GORDON QUEEN BED

ITEM CODE 74177



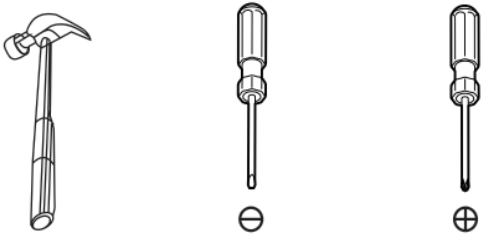


Imported by JWA Furniture Pty Ltd, Qld, Brisbane Australia.  
For any assistance with assembly or for missing parts please refer to your receipt







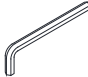



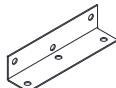


# PRE-ASSEMBLY PREPARATION

## Before you start:

1. Choose a clean, level, spacious assembly area. Avoid hard surfaces that may damage the product
2. Take care when lifting. Product should be assembled as near as possible to the point of use
3. Ensure that you have all required contents for complete assembly
4. Always read the assembly instructions carefully before beginning assembly.
5. Keep all hardware parts and packaging out of reach of small children.
6. Do not over tighten the screws and bolts as this may damage the threads
7. Assembly is to be carried out by a competent adult(s) ONLY
8. During assembly, children should be kept away from the product due to possible risk to injury.
9. Do not use this item if any components are missing or damaged.
10. Please keep the instructions for future reference.

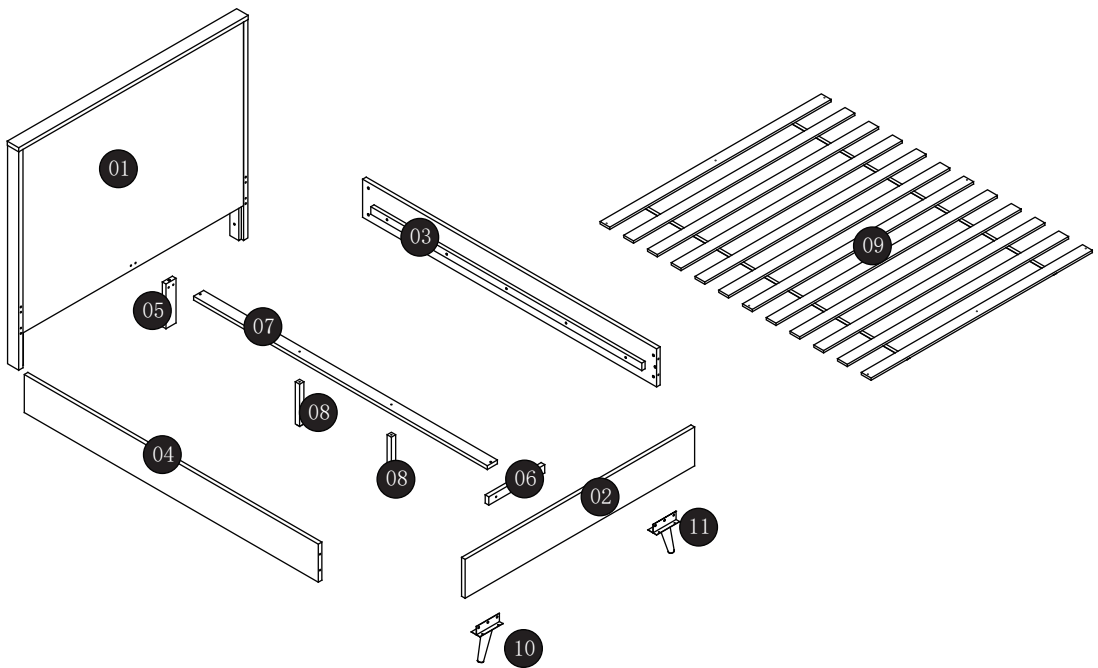
		
Allow 30 min	For 1 person	Additional tools required

# PARTS LIST

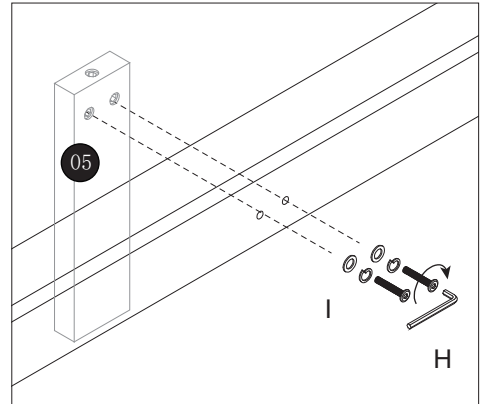
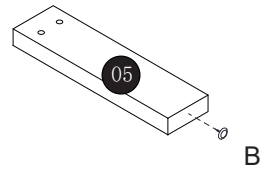
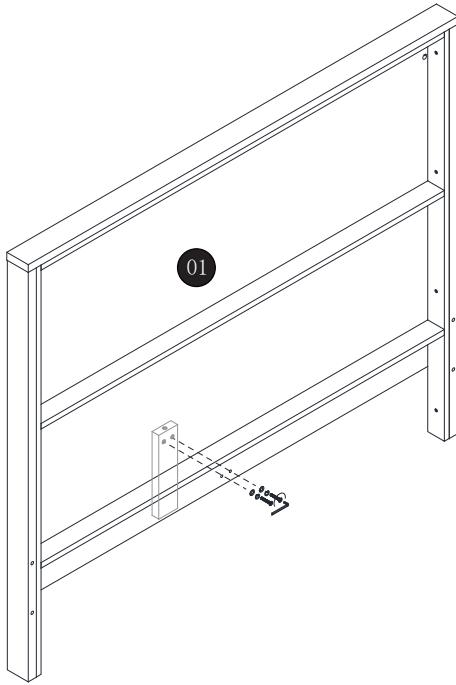
<b>A</b>  M8X50mm 8pcs	<b>B</b>  3pcs	<b>C</b>  M10X15mm 4pcs	<b>D</b>  M8X120mm 4pcs
<b>E</b>  2pcs	<b>F</b>  M6X40mm 2pcs	<b>G</b>  M6 1pc	<b>H</b>  M4 1pc
<b>I</b>  M7X40mm 8pcs	<b>J</b>  M3X16mm 18pcs	<b>K</b>  M4X19mm 2pcs	<b>L</b>  M5X20mm 4pcs
<b>M</b>  M5X30mm 9pcs			

1	TOP PANEL
2	SIDE PANEL
3	SIDE PANEL
4	BOTTOM PANEL
5	BACK PANEL

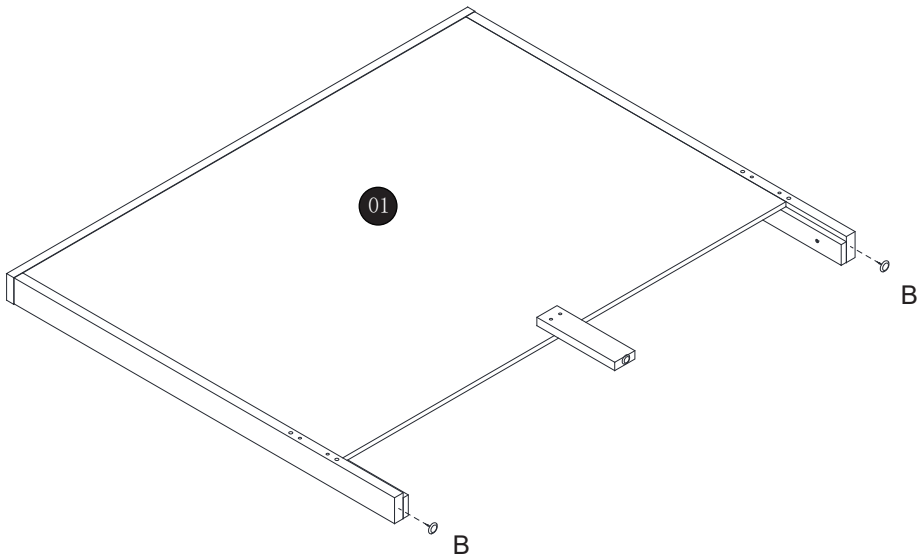
6	DRAWER SIDE
7	DRAWER SIDE
8	DRAWER BASE
9	DRAWER FRONT



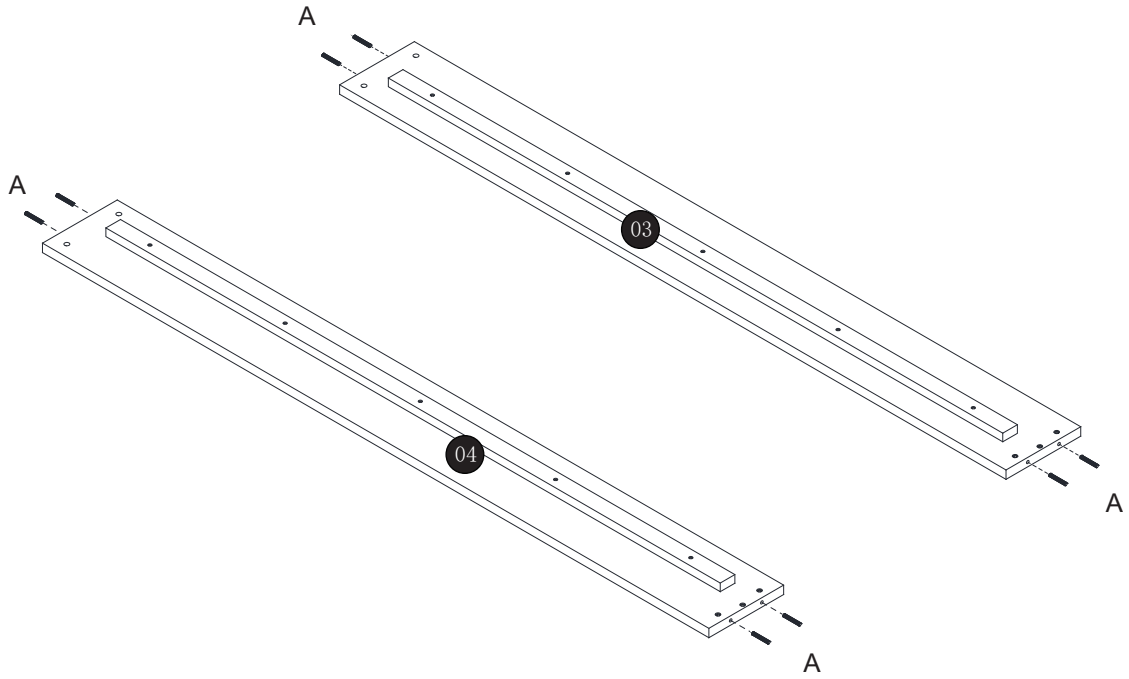
# STEP 1



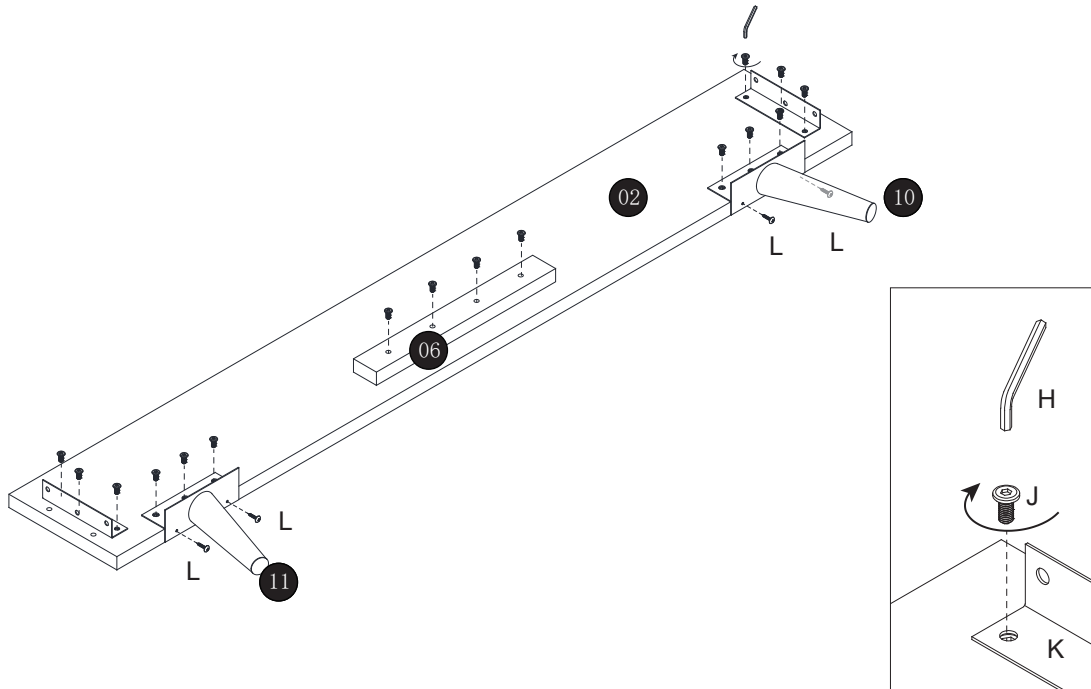
# STEP 2



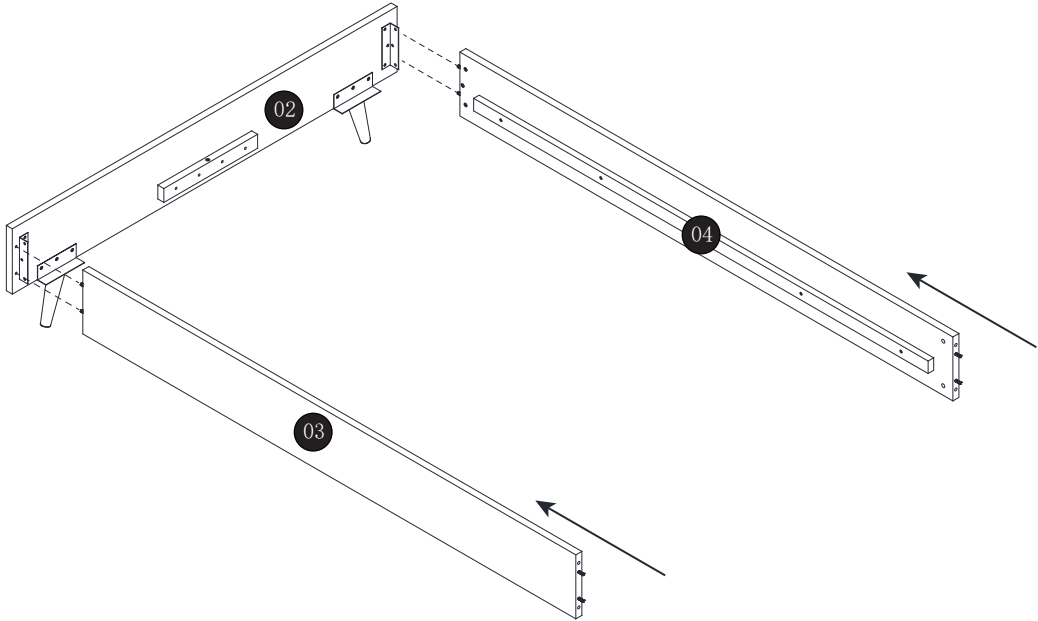
STEP 3



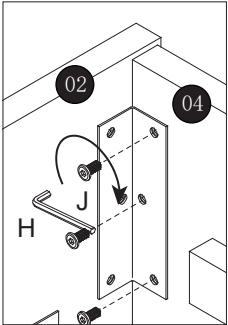
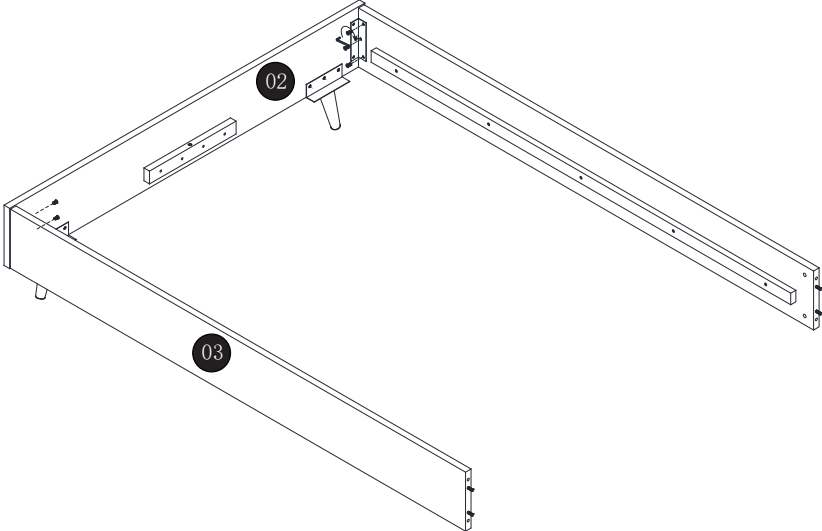
STEP 4



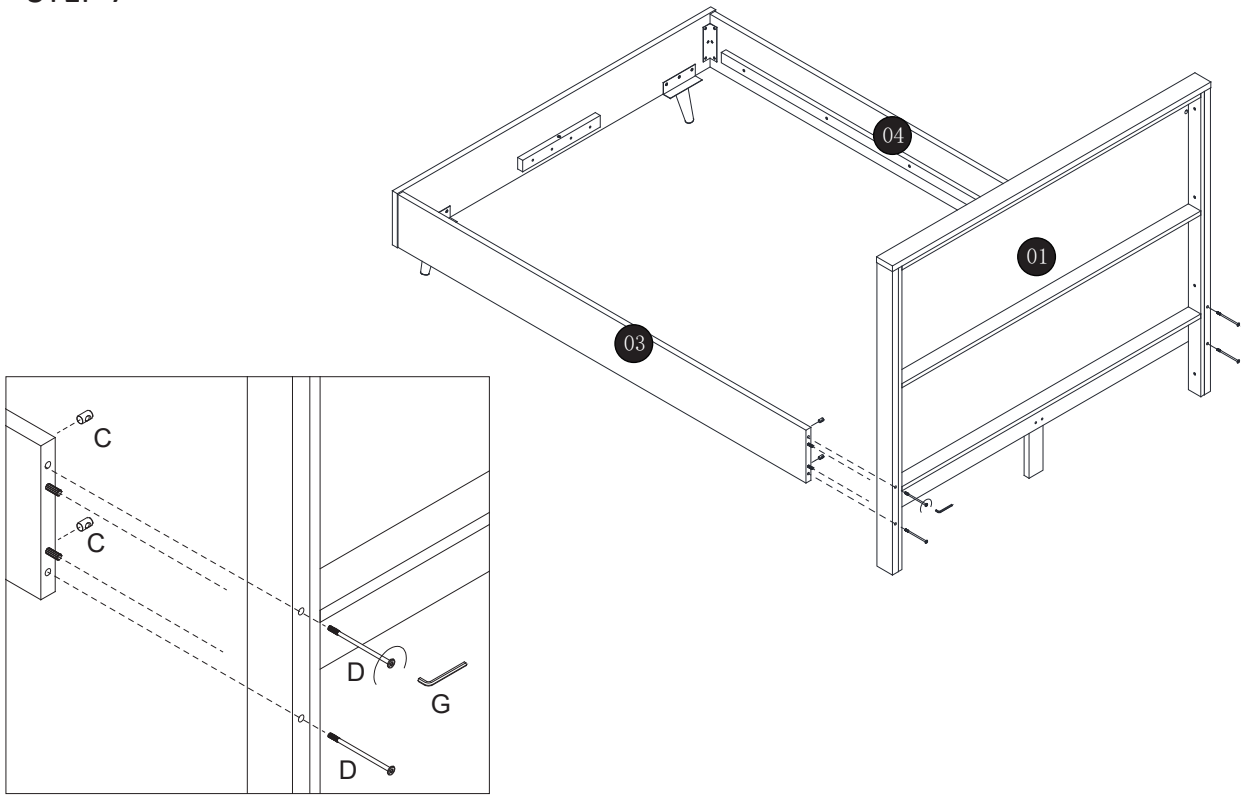
STEP 5



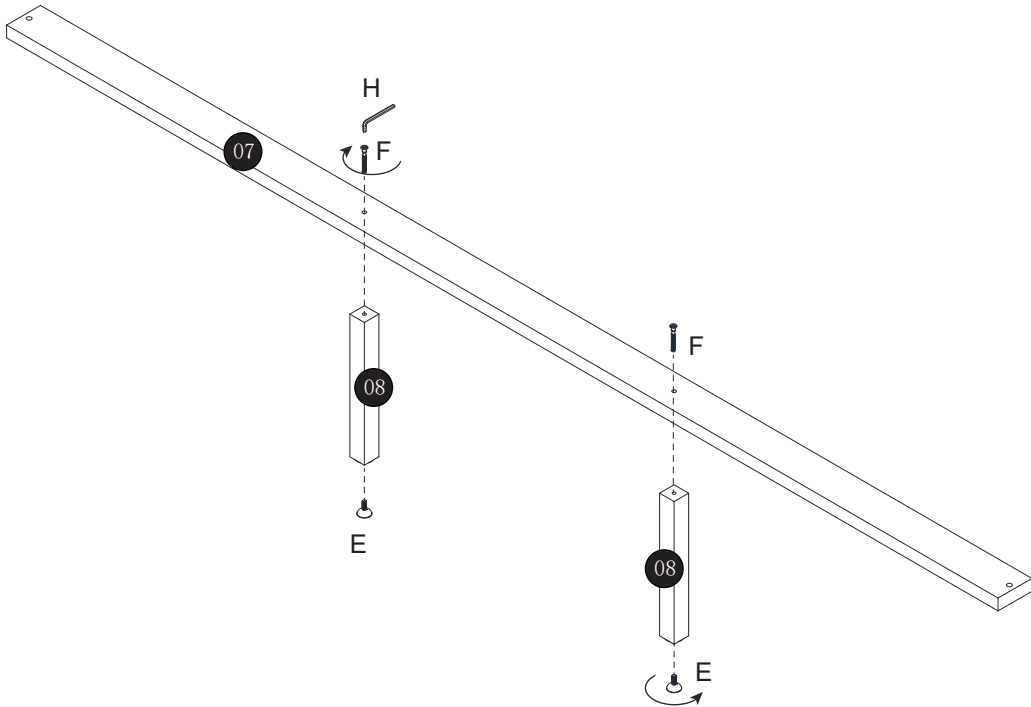
STEP 6



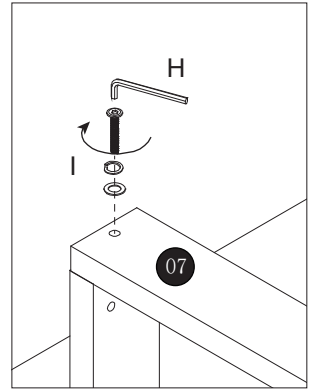
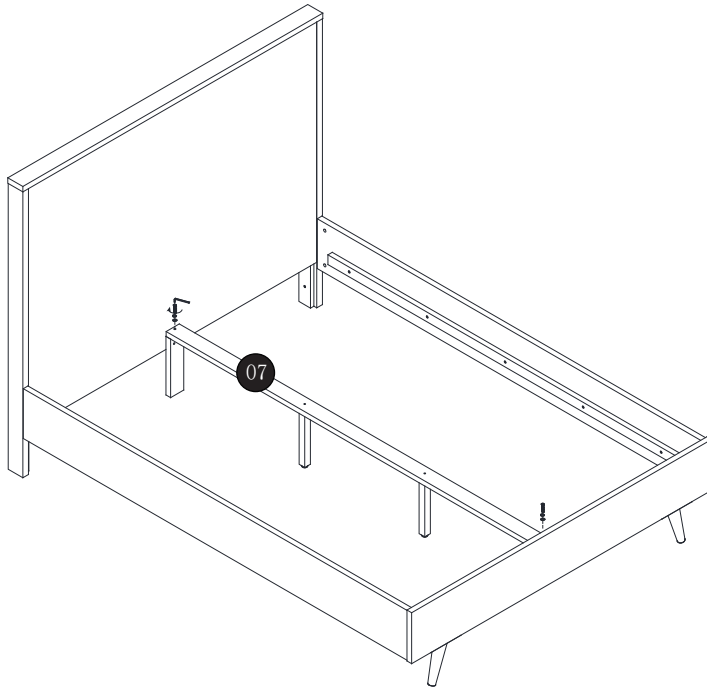
STEP 7



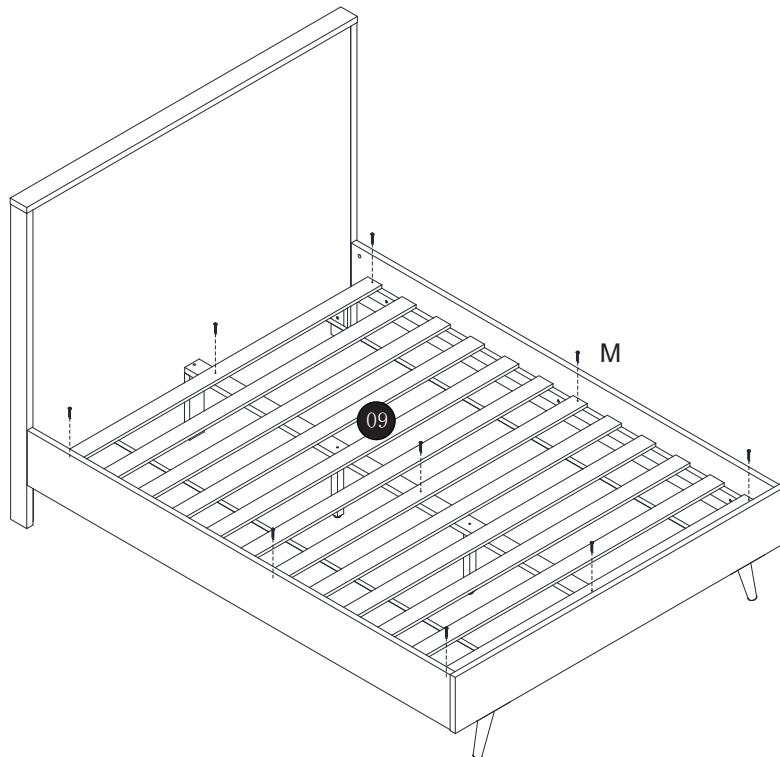
STEP 8



STEP 9



STEP 10



**CAUTION:**  
ALWAYS LIFT YOUR BED WHEN MOVING/RELOCATING – DO NOT DRAG.  
DRAGGING CAN CAUSE THE CENTRE SUPPORT LEGS TO BEND/BREAK.



## **To protect your furniture, we suggest the following:**

- Avoid placing your furniture in direct sunlight.
- Do not place furniture directly under windows.
- Do not place sharp materials (knife, fork, etc.) directly onto your furniture as sharp material may scrape and damage the finish.
- Do not place material with high temperature directly onto the surface of your furniture.
- Clean up spills quickly. Water left over a prolonged period of time may cause damage. Alcohol, perfume, nail polishes, aftershave and some medication may cause severe finish damage if not cleaned immediately.
- Use a clean, soft, dry, lint free absorbent cloth to clean your furniture. Do not use any detergent as they may contain ingredients that may react and damage the finish.

**NOTE:** If the above care advise is not adhered to your product warranty may become void